

# JB-K and JB-K-0

## Heat Tracing Junction Box

### Product Specifications

#### Benefits . . .

The JB-K and JB-K-0 are easy to install, rugged and impact resistant suitable for industrial environments and are high chemical and seawater resistant.

#### Specifications . . .

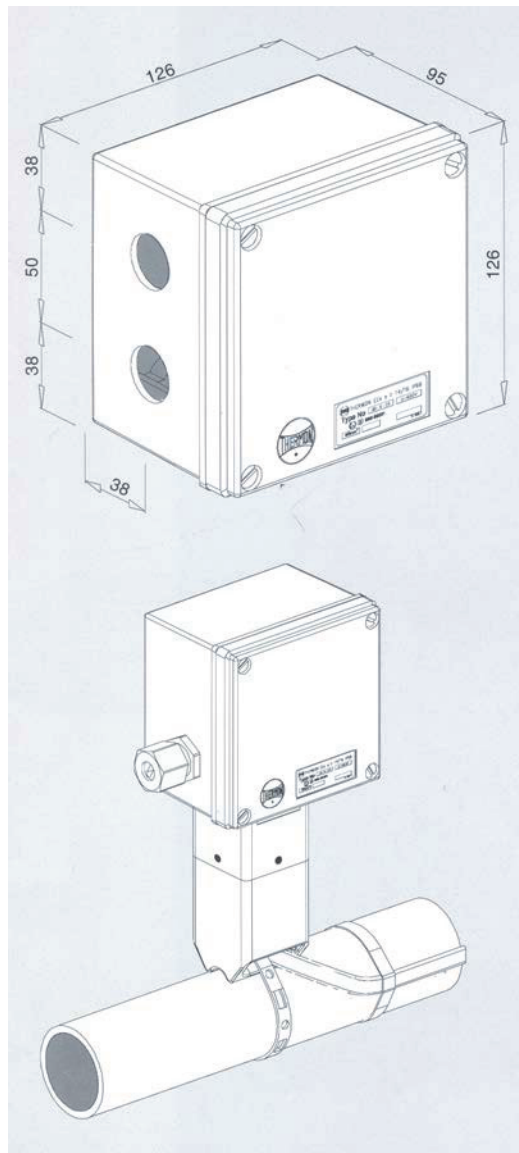
The enclosure is manufactured using non metallic material suitable for severe industrial conditions.

Standard terminals ..... 4 x 6mm<sup>2</sup> + 2 x PE 6mm<sup>2</sup>  
 Maximum current ..... 6mm<sup>2</sup> - 22A (T6) /46A (T4)  
 Maximum voltage rating ..... 550 Vac

	Area	
	Non-haz	Hazardous
Max. exposure temp.	90°C	90°C
Degree of protection		
- Wall mounting	IP66	IP66
- With XP Plus	IP65	IP65
Colour	Grey	Black
Surface resistance	N/A	<10 <sup>9</sup> Ω
Approval/CE Marking	N/A /Yes	EEx e II T6/ T4 N/A
JB-K/XP Plus	2 x M25* c/w gland and blind plug	2 x M25* c/w gland and blind plug
JB-K-0	2 x M25* c/w gland and/or blind plugs	2 x M25* c/w gland and/or blind plugs

#### Notes:

\*Other entry sizes on request (non-stocking items)



**THERMON...The Heat Tracing Specialists®**

[www.sovatrading.com](http://www.sovatrading.com)

Sova Trading B.V.  
 Buitendijks 37  
 3356 LX Papendrecht  
 The Netherlands  
 Phone: +31 (0) 85-40 11 880